

020

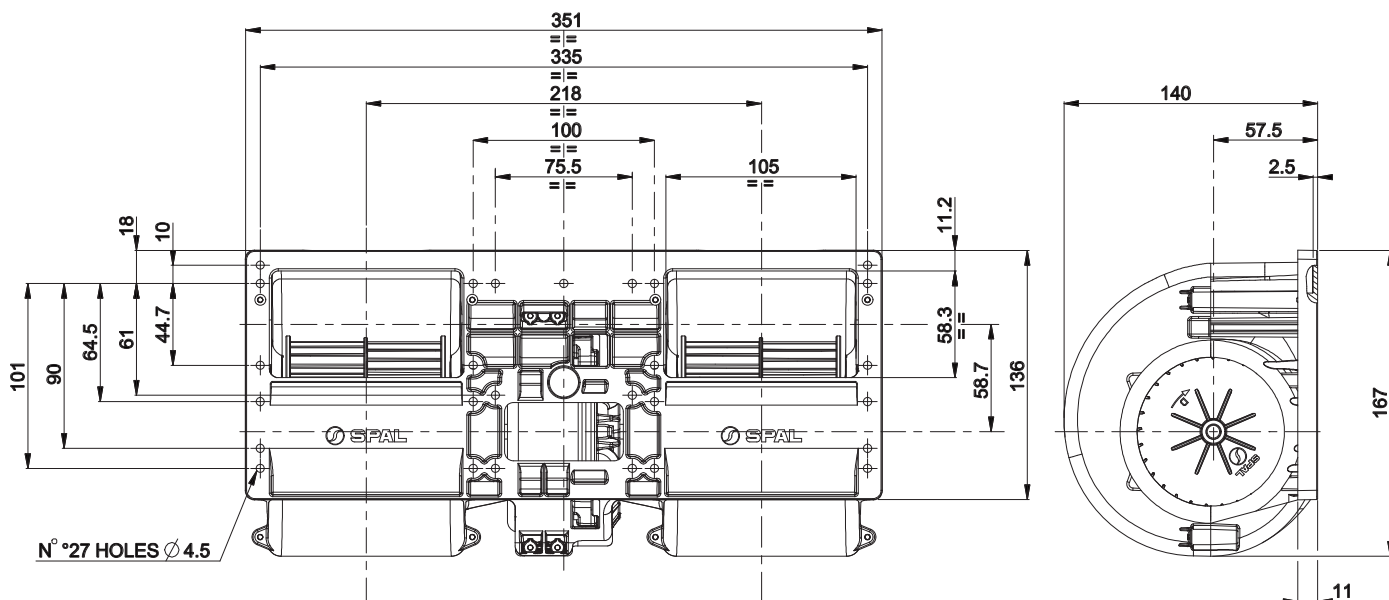
020-BBL331P/N-95



**Technical Data**

All dimensions are expressed in mm. Use M6 screws for fixing - nominal tightening torque 4 Nm

Motors certified **IP6K9K** and **IP68**



**Connector: YAZAKI HYBRID (USCAR-2 compliant) - Part number: 7282-8497-90**

	Identification	+	-	A	PWM* / E*
	Pin number	1	2	3	4
	Wire Color	RED	BLACK	YELLOW	WHITE
	Sealing p/n	7157-3582-90	7157-3582-90	7158-3030-50	7158-3030-50
	Pin p/n	7114-3251	7114-3251	7114-4102-02	7114-4102-02
	Section [mm²]	4.0	4.0	0.5	0.5

**NOTE: YAZAKI connector counterpart available upon request (see page 63)**